

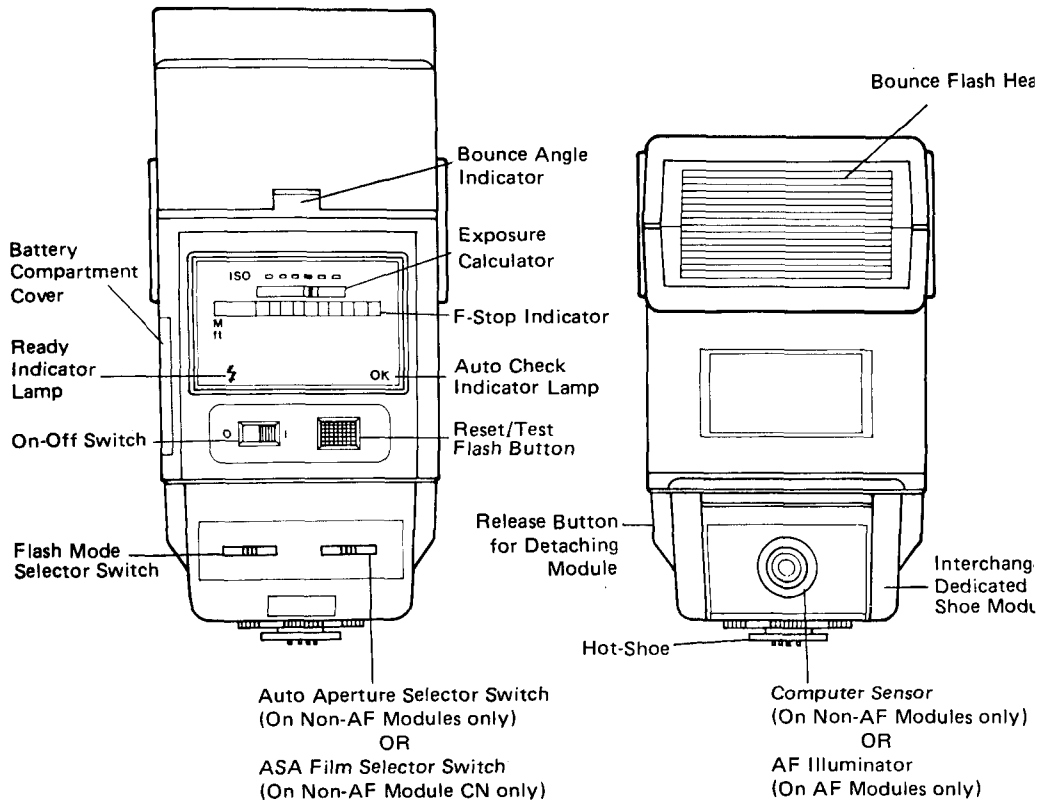
**PROMASTER<sup>®</sup>**

**FTD 5200**

**OPERATING INSTRUCTIONS**

**ELECTRONIC FLASH**

# PARTS IDENTIFICATION



## FLASH DEDICATION

This flash unit requires Interchangeable Dedicated Module to fit the following dedicated mating cameras for dedicated flash operation.

● Please see Module Instructions for details of operation of this flash unit.

### AF MODULES: —

- AF MODULE CN is for CANON EOS 650, 620, 750, 850, 630, 10, REBEL, ELAN, etc
- AF MODULE ML is for MINOLTA MAXXUM 7000, 9000, 5000
- AF MODULE ML is for MINOLTA MAXXUM 7000i, 3000i, 5000i, 8000i, 7Xi, 3Xi, etc
- AF MODULE NK is for NIKON N2020, N4004, N8008, N6006
- AF MODULE YS is for YASHICA 230AF, 200AF
- AF MODULE PX is for PENTAX SF1/SFX, SF1N, SF10/SF7
- AF MODULE OM is for OLYMPUS OM707/OM-77AF

### NON-AF MODULES: —

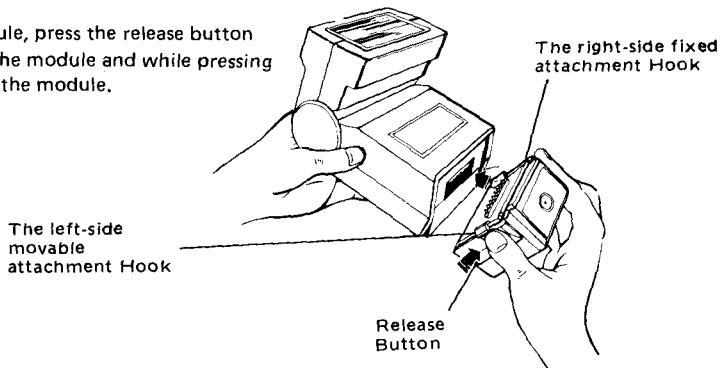
- MODULE CN is for CANON A-1, AE-1, AE-1 Program, New F-1, AV-1, AL-1, AT-1, T50, T70
- MODULE ML is for MINOLTA XD Series, XG Series, X700, X570, X370
- MODULE PX is for PENTAX ME-Super, ME-F, MV, MG, LX, Super A Program, Program Plus, A3000, P3N
- MODULE NK is for NIKON FE, EM, FE2, FA, FG, FM2, FG20, N2000
- MODULE RC is for RICOH XR-Series, KR-Series, XR-P, XR-X/XR-M
- MODULE YS is for YASHICA FX-Series
- MODULE OM is for OLYMPUS OM1, OM2, OM2N, OM10, OM4, OMF, OMG, OM2S, OM-PC, OM-101
- MODULE ST is for STANDARD SLR cameras

● As different models of cameras operate differently for flash photography, you should read the Instructions Manual of your camera for details of flash operation.

● Before attaching the Module onto the Flash Unit always make sure that the Module and the Flash Unit contact points are all clean. The stain or dirt on surface of the contact points on the Module side or on the Flash Unit side may cause malfunction. You may use soft cloth to clean the contact points on both sides.

## ATTACHING AND DETACHING THE DEDICATED MODULE

1. To attach the module, position the right-side fixed attachment hook onto the flash unit and then push the left-side of the module upward until the left-side movable attachment hook clicks into position.
2. To detach the module, press the release button on the left-side of the module and while pressing the button, detach the module.



- IMPORTANT NOTE:**
- WHEN ATTACHING THE MODULE ONTO THE FLASH UNIT OR DETACHING THE MODULE FROM THE FLASH UNIT, ALWAYS MAKE SURE THAT THE POWER OF THE FLASH UNIT HAS BEEN SWITCHED OFF.
  - DO NOT ATTACH THE FLASH UNIT TO THE MODULE WHILE THE MODULE IS MOUNTED ON THE CAMERA.
  - WHEN MOUNTING THE FLASH UNIT WHICH HAS BEEN ATTACHED TO THE MODULE ONTO THE CAMERA, ALWAYS MAKE SURE THAT THE POWER OF THE FLASH UNIT HAS BEEN SWITCHED OFF.
  - USE THE DEDICATED MODULE ONLY WITH THE DESIGNATED MATING CAMERA. USING IT WITH NON-MATING DEDICATED CAMERA MAY CAUSE DAMAGE TO THE CAMERA, THE FLASH UNIT, THE MODULE OR ALL.

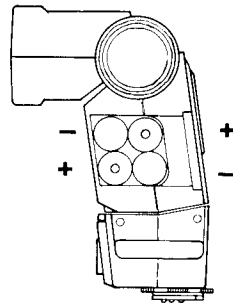
**It is important to follow the above instructions. Otherwise, it may cause damage to the flash unit, the module, the camera or all.**

## BATTERY OPERATION

- i. Open the battery compartment cover
- ii. Insert four 1.5V penlight batteries following (+) (-) sign as indicated inside and replace the cover.

### IMPORTANT:

- THE BATTERIES SHOULD BE INSERTED IN CORRECT POSITION
- FOR BEST RESULTS, USE ALKALINE BATTERIES
- USE FRESH BATTERIES REGULARLY



## AF ILLUMINATOR FOR AUTOFOCUSING

When the camera's operating button is pressed halfway, the AF illuminator is automatically activated when required, with low-contrast subjects in low light. This illumination enables the camera's autofocus system to determine focus status and adjust the lens.

The AF illuminator enables autofocusing with subjects up to about 16 feet away. This distance is for autofocusing only, when focusing manually, flash photograph is possible up to about 57 feet, when using ASA 100 and F1.4 aperture (please refer TTL Auto Flash range table.)

**NOTE:** The working range for the AF Illuminator is based on standard test method with a 50 MM lens. If longer focal lengths are used, the camera may not focus lens accurately. In this case or whenever focus signals blink, set focus mode of the camera switch to M and focus lens manually.

## AUTO CHECK LAMP

On TTL Auto flash mode or Normal Auto flash mode, if exposure was sufficient, the auto check lamp on the flash unit glows at the same moment when the shutter button of the camera is pressed.

On Normal Auto flash mode, before actually taking the photos, you can check whether the shooting distance is within the automatic range by pressing test flash button on the flash unit.

## AUTO POWER-OFF

A battery-saving automatic power-off circuitry is incorporated in this flash unit. The battery power of the flash unit will be automatically turned off within approximately 5 minutes and the ready indicator LED lamp extinguishes itself. With AF module on some dedicated mating cameras, the flash can be re-activated for firing by touching the shutter-release button of the camera. With other modules, the flash can be re-activated for firing by pressing once the Reset flash button on the flash unit or by switching the flash unit OFF and then ON again.

## TTL AUTO FLASH OPERATION

This flash Unit provide automatic Through-The-Lens (TTL) control of the flash exposure when used with dedicated cameras which have TTL Auto Flash Metering feature.

This auto mode permits you to use any lens aperture within the flash unit's operating range to enable you to have greater control over depth of field. The larger the aperture (the smaller the *f*-number) you select, the greater the maximum shooting distance (the less the depth of field but the shorter the recycling time between shots). On the other hand, the smaller the aperture (the greater the *f*-number) you select, the less the maximum shooting distance (the greater the depth of field but the longer the recycling time).

Therefore, in selecting an aperture, all three factors — maximum shooting time, depth of field and flash recycling time should be taken into consideration.

The TTL Automatic mode of this flash unit balances the exposure between the main subject illuminated by the flash and the background in ambient light, whenever possible. Thus, this TTL mode can be used under conditions ranging from total darkness to fill-in flash.

## TTL AUTO FLASH RANGE: (APPROX.)

ASA FILM IN USE				NORMAL COVERAGE
100	200	400	1000	
1.4	2	2.8	4	8 – 57 Ft
2	2.8	4	5.6	6 – 40 Ft
2.8	4	5.6	8	5 – 28 Ft
4	5.6	8	11	4 – 20 Ft
5.6	8	11	16	3 – 14 Ft
8	11	16	22	3 – 10 Ft
11	16	22		3 – 7 Ft
16	22			3 – 5 Ft
22				3 – 4 Ft

(\*\* Please note that when demonstrating TTL Auto Flash function there must be film inside the camera)

## NORMAL AUTO FLASH OPERATION

This flash unit which has been attached to the non-AF module has three auto flash operation settings designated by the colours, BLUE – F2, YELLOW – F4, \*GREEN – F5.6 on the Module for shooting up to 40 feet, 20 feet and 14 feet respectively when using ASA 100 film.

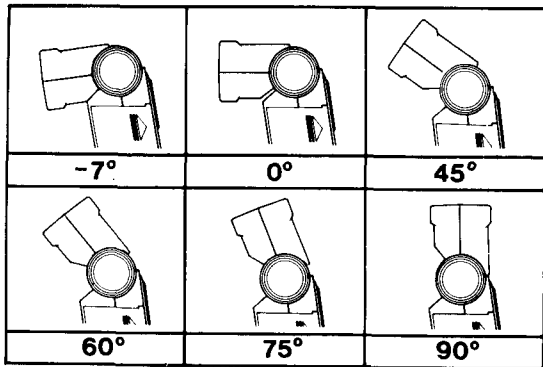
\* Non-AF Module CN does not have this setting.

## BOUNCE PHOTOGRAPHY

The convenience of automatic operation can be applied to bounce lighting which involves "Bouncing" the light off a ceiling or other reflective surfaces to obtain soft illumination.

- i. The auto mode can be used for bounce lighting (It is recommended to operate your flash in auto mode for bounce flash)
- ii. After determining the position of your subject, adjust the bounce angle. The flash head is variable from  $-7^{\circ}$  to  $90^{\circ}$  and there are click stops at  $0^{\circ}$ ,  $45^{\circ}$ ,  $60^{\circ}$ ,  $75^{\circ}$  plus  $-7^{\circ}$  position for straight-on flash parallax correction.

When using bounce lighting, it is advisable to use a high speed film (ASA400).



## USING THE EXPOSURE CALCULATOR

### (a) At Normal Auto Operation for Standard SLR Cameras.

- (1) Set INDEX line of the ASA/DIN film selector switch to the ASA/DIN speed of the film in use.
- (2) Read along the auto line (blue or yellow or green according to your auto range setting selected) and find the corresponding f-number for auto operation. Set this aperture on your camera.

### (b) At TTL Auto Operation for Dedicated TTL Cameras

- (1) Set INDEX line of the ASA/DIN film Selector Switch to the ASA/DIN speed of the film in use.
- (2) Focus on your subject and note the flash to subject distance.
- (3) Locate the lens aperture you wish to use for TTL Auto Operation and read the distance opposite this selected aperture to check whether the flash to subject distance is within auto range. If it is, set the aperture on your camera.

### (c) At Manual Flash Operation

- (1) Set INDEX line of the ASA/DIN Selector Switch to the ASA/DIN speed of the film in use.
- (2) Focus on your subject and note the flash to subject distance. Locate this distance on the distance scale.
- (3) Read the aperture opposite this distance and set the f-number on your camera.

## LOWER POWER MANUAL FLASH

At Manual Flash Operation, you can set the flash unit's Mode Selector Switch to '1/16' power position, which will give you faster recycling time and more number of flashes. It is useful for close-up works and the shooting with motor-drive film winder (up to 2 frames per second). Guide number at this lower power setting is 1/4 of the full power guide number (please see Guide Number Table).



## SPECIFICATIONS

- Power Source : Four (1.5V AA size ALKALINE Batteries)
- Recycling Time : Auto 0.3 – 10 sec  
Manual 6 – 10 sec
- Battery Life : Approx 100 – 700 Flashes  
(Depends on the type of batteries)
- Flash Duration : Auto 1/30,000 to 1/1000 sec  
Manual 1/1000 sec
- Angle of Illumination : Horizontal 60°  
Vertical 45°
- Colour Temperature : Same as Sunlight During Day
- Guide Number Table : (In Feet)

ASIA FILM SPEED	25	50 64	100	200	400	1000
GUIDE NUMBER	40	56	80	112	160	250

The Guide Number when at 1/16 Power is 1/4 of the above

## AF ILLUMINATOR:

The illuminator is automatically activated for autofocusing when required, with low-contrast subjects in low light. The range is up to about 16 feet based on standard test method with 50 mm lens.

Output : 1200 BCPS

Sensor Measuring Angle: 20°

Auto Aperture Settings : F2, F4, \*F5.6 when at ASA 100

Auto Operation Range : (Approx.)

AUTO RANGE SELECTOR POSITION	AUTO APERTURE	AUTO RANGE
ASA 100 Blue	F2	6 – 40 Ft
ASA 100 Yellow	F4	4 – 20 Ft
ASA 100 *Green	* F5.6	3 – 14 Ft

\* Non-AF MODULE CN does not have this setting.

Bounce Angle: -7° to 90°  
(Click Stop: -7°, 45°, 60°, 75° and 90°)

Weight: 200 Gm  
(Without Batteries)

Size: 73 (W) x 48 (D) x 115 (H) mm  
(Excluding Shoe Module)

\*\* Specifications are subject to change without notice