

[pro]master®

SF108M

Manual Slave

Flash Kit

Instruction Manual



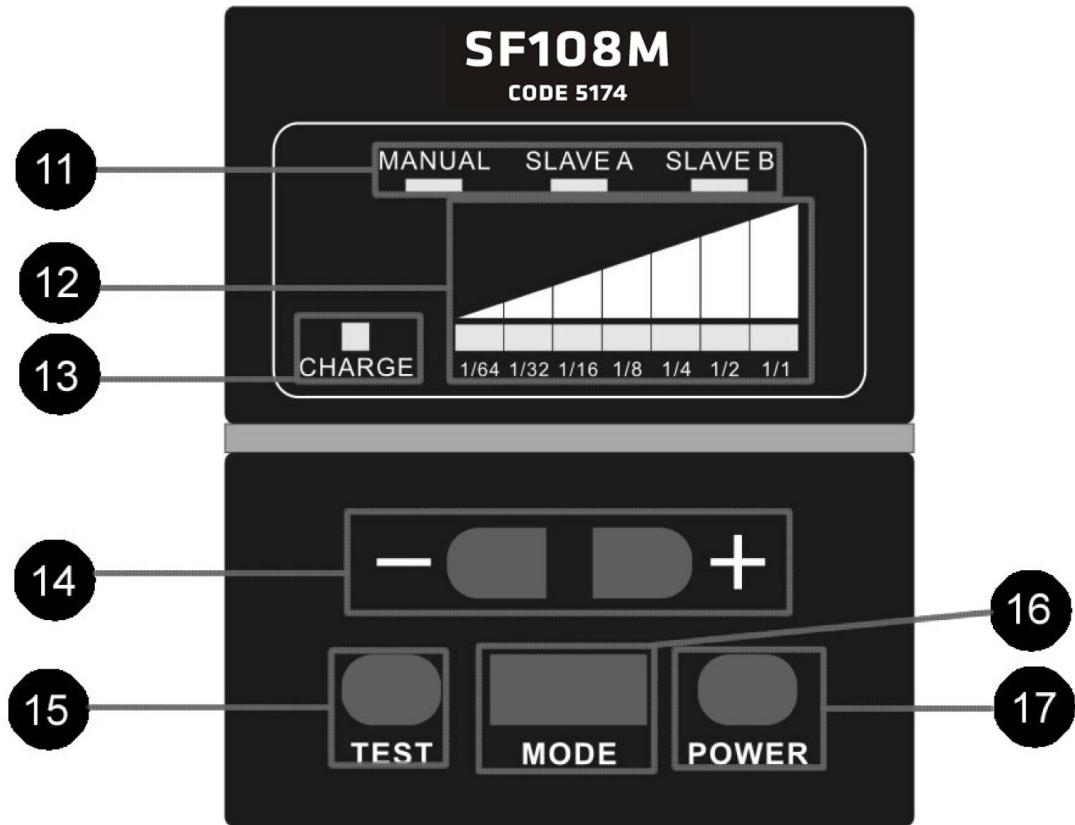
PARTS IDENTIFICATION



- ① **Built-in bounce card**
Creates a highlight in the subject's eyes in bounce flash photography.
- ② **Built-in wide-flash adapter**
Increases the angle of coverage to match a 14mm or 17mm lens.
- ③ **Optical control sensor**
For the flash using as a slave flash.
- ④ **Flash head**
Can be tilted up to 90° and rotated horizontally 180° to the left or 90° to the right.
- ⑤ **Battery chamber**
- ⑥ **Hot Shoe locking ring**



- ⑦ Flash bounce angle scale
- ⑧ Display panel
- ⑨ Control buttons
- ⑩ Sync terminal



- ⑪ **Mode indicator**
MANUAL, SLAVE A, SLAVE B
- ⑫ **Flash output indicator**
1/1, 1/2, 1/4, 1/8, 1/16, 1/32, 1/64
- ⑬ **Charging indicator**
If the charging indicator is green the flash is charged and ready to fire. If the indicator remains red for more than 1 minute, please replace the batteries.
- ⑭ **+/- buttons**
Press to increase or decrease the flash output.
- ⑮ **Test button**
Press to test fire the flash.
- ⑯ **Mode button**
Press to select MANUAL, SLAVE A or SLAVE B.
- ⑰ **Power button**
Press for approx. 2 sec. to turn the power on and off.

INSTALLING THE BATTERIES

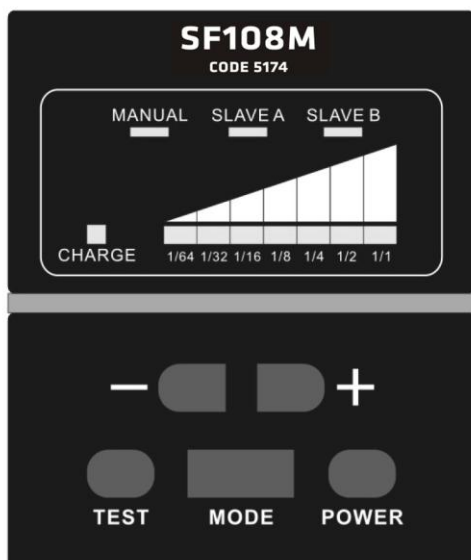


ATTACHING THE FLASH TO THE CAMERA



OPERATION

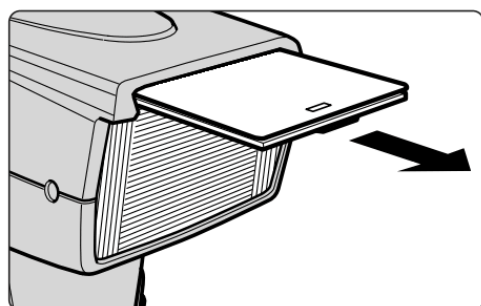
Testing the flash



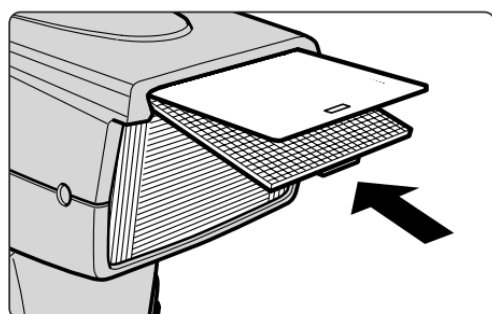
1. Press the POWER button for approx. 2 sec. to turn the power on.
2. Press the MODE button to select the desired mode.
3. Press the +/- button to increase or decrease the power output.
4. When the charge indicator is green, press the TEST button to fire the flash.
5. Mount the flash on the camera hot shoe. The flash is ready for use.
6. When not in use, press the POWER button for approx. 2 sec. to turn the power off.

Note: In the manual mode, the flash will automatically power off after 60 minutes of inactivity.

Using the built-in bounce card

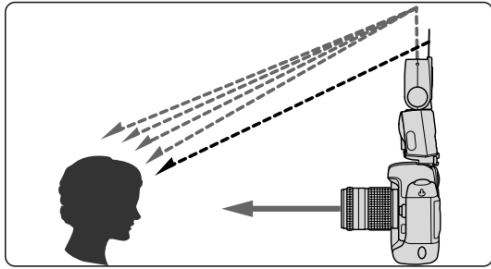


In bounce flash photography, use the built-in bounce card to create a highlight in the subject's eyes, making the eyes look more vibrant.

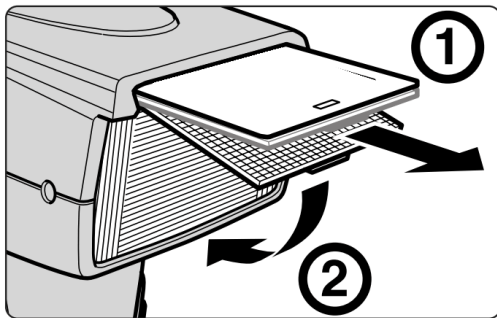


As shown in the illustrations, pull out the wide-flash adapter and while holding the bounce card, slide the wide-flash adapter back into place inside the flash head.

Tilt the flash head up 90° to use this feature most effectively.



Using the built-in wide-flash adapter



Slowly pull out the wide-flash adapter all the way, and position it over the flash head. Then slide the bounce card back into place inside the flash head.

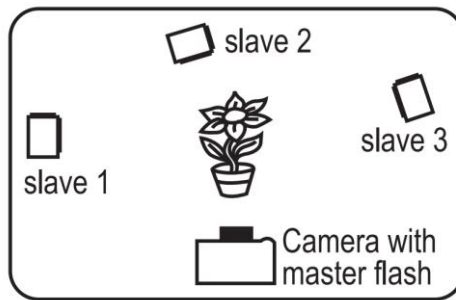
Increases the angle of coverage to match a 14mm or 17mm lens.

Using the optical slave control

The SF108M features an optical slave control function. There are two different slave modes.

SLAVE A: In this mode, the SF108M will fire with the first flash. If you are using this mode, be sure to turn off any pre-flash/red eye reduction mode on the main flash.

SLAVE B: In this mode the, the SF108M will ignore the pre-flash used by many cameras to reduce red eye. Note: Different cameras and flashes use different pre-flash parameters. If you do not get correct exposure in this mode, the pre-flash parameters of the master flash may not sync properly and you should use the SLAVE A mode.



1. Use the built-in flash on your camera or an external flash as a master flash.
2. Set one or more SF108M flashes in your desired position.
3. Press the test button on your master flash or make a test exposure to ensure the slaves are seeing the master flash and fire accordingly.

NOTE: Do not put any barrier between the master and slave flash. The barrier will block the optical signal. In the slave mode the SF108M will go into the power save mode after 30 minutes of inactivity.

FOR YOUR SAFETY

Before using your product, please read the following safety precautions:

1. Never attempt to disassemble or repair the flash unit by yourself.
2. If the flash unit is dropped and damaged, do not touch any exposed interior metal parts.
3. If you detect heat, smoke or notice a burning smell, immediately stop operation and remove the batteries to prevent the unit from catching on fire or melting.
4. The flash unit should never be submerged in liquid or exposed to rain, saltwater or moisture unless it is properly protected from the liquids and moisture. Underwater use requires a certified underwater housing.
5. Do not use the unit in the presence of flammable or explosive gas.
6. Do not fire the flash unit directly at the driver of a moving car, as this could temporarily impair the driver's vision and cause an accident.
7. Do not fire the flash unit directly into the eyes of someone that is at close range, as it could damage their eyes' retinas. Never fire the flash unit closer than 1 meter from infants.
8. Do not fire the unit while the flash head is touching a person or object.
9. Keep small accessories out of the reach of children to avoid the possibility of the accessory being swallowed. If an accessory is accidentally swallowed, immediately consult with a doctor.

10. Do not mix battery types, brands or old and new batteries, as the batteries could leak, explode or catch on fire. When using more than one battery in a product, always use identical batteries that were purchased at the same time.
11. Do not install batteries in the reverse direction as this could cause the batteries to leak corrosive liquids, generate heat or explode. Even if only one battery is installed in reverse it will cause the flash to malfunction.

SPECIFICATIONS

Guide Number: 108'/33m

Circuit Design: IGBT

Power Source: 4 - AA alkaline or NiMH

Number of Flashes: 100-1600 times

Recycling Time: 3 seconds NiMH, 6 seconds alkaline

Slave Operation: Optical slave with 2 modes (Slave A, Slave B)

Power Ratio: 7 steps (1/1, 1/2, 1/4, 1/8, 1/16, 1/32, 1/64)

Power Save Mode: Auto Power off after 60 minutes in M mode

Bounce Positions: 0°, 45°, 60°, 75°, 90°

Swivel Positions: Left - 30°, 60°, 90°, 120°, 150°, 180°

Right - 30°, 60°, 90°

Dimensions: 2 13/16 x 6 5/8 x 2 3/16" (72 x 168 x 56mm)

Weight: 8.9 oz. / 252g

Code 5174

Made in China

KEEP IN TOUCH

For more information, tutorials, industry news and tips & tricks, make sure to visit us at promaster.com, follow our feeds on Twitter @promasterphoto, and subscribe to our YouTube ProMasterChannel.

ONE YEAR UNCONDITIONAL GUARANTEE

If for any reason, this ProMaster product fails within ONE YEAR of the date of purchase, return this product to your ProMaster dealer and it will be exchanged for you at no charge. ProMaster products are guaranteed for ONE FULL YEAR against defects in workmanship and materials. If at any time after one year, your ProMaster product fails under normal use, we invite you to return it to ProMaster for evaluation.

www.promaster.com | Fairfield, CT 06825