

FT1750

Automatic Electronic Flash Instruction Manual

Thank you for your purchase of a ProMaster electronic flash. This electronic flash may be used with both digital and film cameras. Your flash uses a low voltage and low current triggering system to provide protection for most digital cameras. Please take few minutes to read these instructions before using your flash.

SPECIFICATIONS

Guide No (ISO 100 / DIN21)	66(ft) / 20(m)
Flash Coverage	45° vertical x 60° horizontal
Power Source	2 x AA (1.5V) Batteries
Flash Duration	1/2000 to 1/40000 sec
Recycling Time	Approx. 5 seconds with fresh batteries
Auto Range	1 - 10m at f/2.0 1 - 5m at f/4.0
Weight w/o batt.	Approx. 127g
Dimensions	65x54x98mm
Accessories	Synchro cord

Specifications and design are subject to change without notice.

LOADING BATTERIES

Make sure the ON/OFF switch is in OFF position. Slide open the battery cover and insert 2 x AA batteries in the direction shown by the symbols in the battery compartment. Close the battery cover. Inserting batteries with the wrong polarity may cause the batteries to overheat, leak, explode and/or damage the flash. Switch the ON/OFF switch to the ON position.

The ready indicator will light within a few seconds if the batteries are properly installed. When you need to replace the batteries, be sure all of the batteries are the same brand, type and capacity.

ATTACHING THE FLASH TO YOUR CAMERA

The flash can be mounted directly onto camera's hot shoe socket. If hot shoe socket contacts on your camera do not match the contacts on the foot of the flash, do not mount the flash onto the camera. If the contacts do not match, your camera or flash may be damaged. If you do not have a hot shoe on your camera, the flash may be connected using the synchro cord (included) to connect to the camera's PC sync terminal.

USING THE FLASH

FULL POWER OUTPUT (MANUAL MODE)

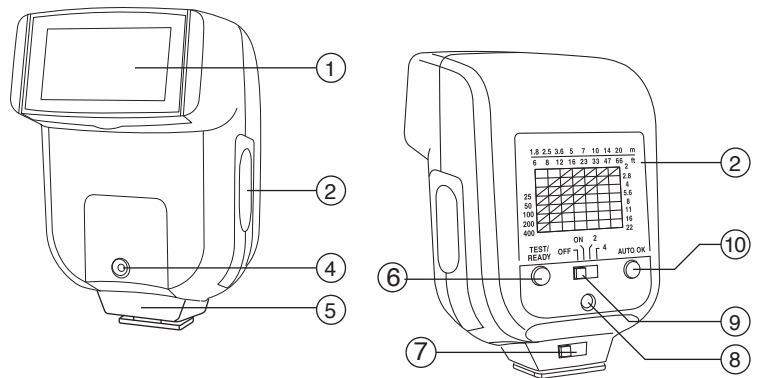
Switch the flash to the ON position. Refer to the Exposure Table on the back of the flash, estimate the camera to subject distance and note the film speed in order to get the correct camera lens aperture setting. The aperture can be calculated using this formula:

Aperture (f) = guide number (GN) / flash to subject distance (m)

Example: Flash Used = FT1750

Film speed: ISO 100; Flash to subject distance: 5.0m

The correct aperture should be f4



FT1750

1. Tilted Reflector
2. Battery Cover
3. Exposure Table
4. Auto Sensor
5. Hot Shoe
6. Ready / Test Button
7. Hot Shoe Lock Switch
8. Synchro Socket
9. Mode Selector: Off / On / 2 (Auto f/2.0) / 4 (Auto f/4.0)
10. Auto OK Indicator

AUTO MODE

The FT1750 has an auto aperture setting of f/2.0 and f/4.0. It can automatically adjust the exposure for subjects up to 10m when the aperture setting is at f/2.0 and the camera is set to film speed of ISO100. With an aperture setting f/4.0 and ISO100 film speed, the FT1750 can automatically adjust the exposure for subjects up to 5m. The Auto OK Indicator will light if the flash to subject distance is correct.

BOUNCE REFLECTOR

To create more natural lighting effects, the flash may be "bounced" off a reflective surface such as ceiling or wall that is neutrally white. This will soften the light coming out of the flash during photography. The bounce reflector in FT1750 is designed for this. The reflector may be set at 0°, 45°, 60°, 75° and 90° for different lighting effects.

CAUTION

- This flash unit is not for use with a camcorder.
- Do not leave or store the flash unit at temperature exceeding 40°C. This might adversely affect the internal structure or performance of the flash unit. Do not leave the flash unit in your automobile during the summer.
- Remove the batteries if you do not intend to use the flash unit for a long period of time.
- The flash unit is not water-resistant. Rain and humidity may cause irreparable damage to the flash.
- The flash unit is composed of very delicate electronic parts. It should be protected against shock, falls or other improper handling.
- The flash unit contains a high voltage condenser. Do not try to open the housing or repair the flash.
- Do not clean the surface of flash unit by petroleum distillates, detergents or strong solvents. These can cause damage to the flash.